



POINTER



Cellocator Division
Pointer Telocation Ltd.

Hands Free Installation Guide

Customer Support

Techsupport@pointer.com



TABLE OF CONTEXT:

Chapter 1: Hands Free Kit2

 Hands Free Kit content:2

Chapter 2: Safety Instructions3

 General instructions:3

 For vehicles equipped with an air bag:3

Chapter 2: Installation Instructions:4

 Installation overview4

 HF Electronic Module.....5

 HF Speaker.....5

 HF Microphone6



CHAPTER 1: HANDS FREE KIT

Hands Free Kit content:

1. HF Electronic Module,
2. HF Speaker,
3. HF Microphone,
4. HF Harness.





CHAPTER 2: SAFETY INSTRUCTIONS

General instructions:

Do not mount the device in a possible impact zone of the passenger area or in airbag unfolding area.

Do not attempt to operate the system when you have noticed any kind of a defect in the product. In case you find such a defect, please contact Pointer Support.

Attempts to repair the system by unqualified personnel can be dangerous to the user. For this reason, only qualified staff is authorized to carry through inspections.

Use only the supplied or an approved replacement antenna. Unauthorized antennas, modifications, or attachments could damage the device.

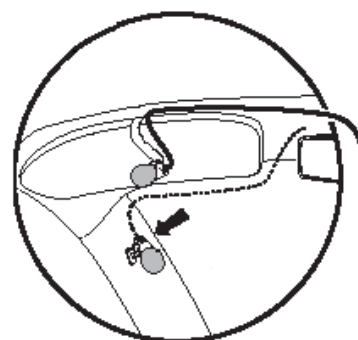
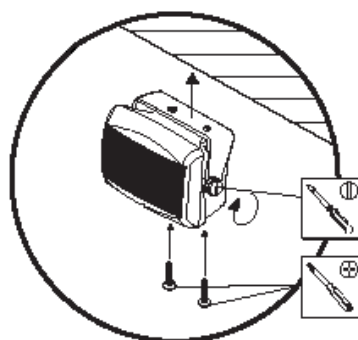
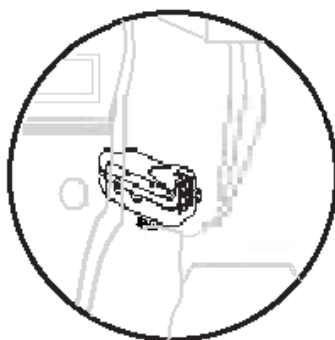
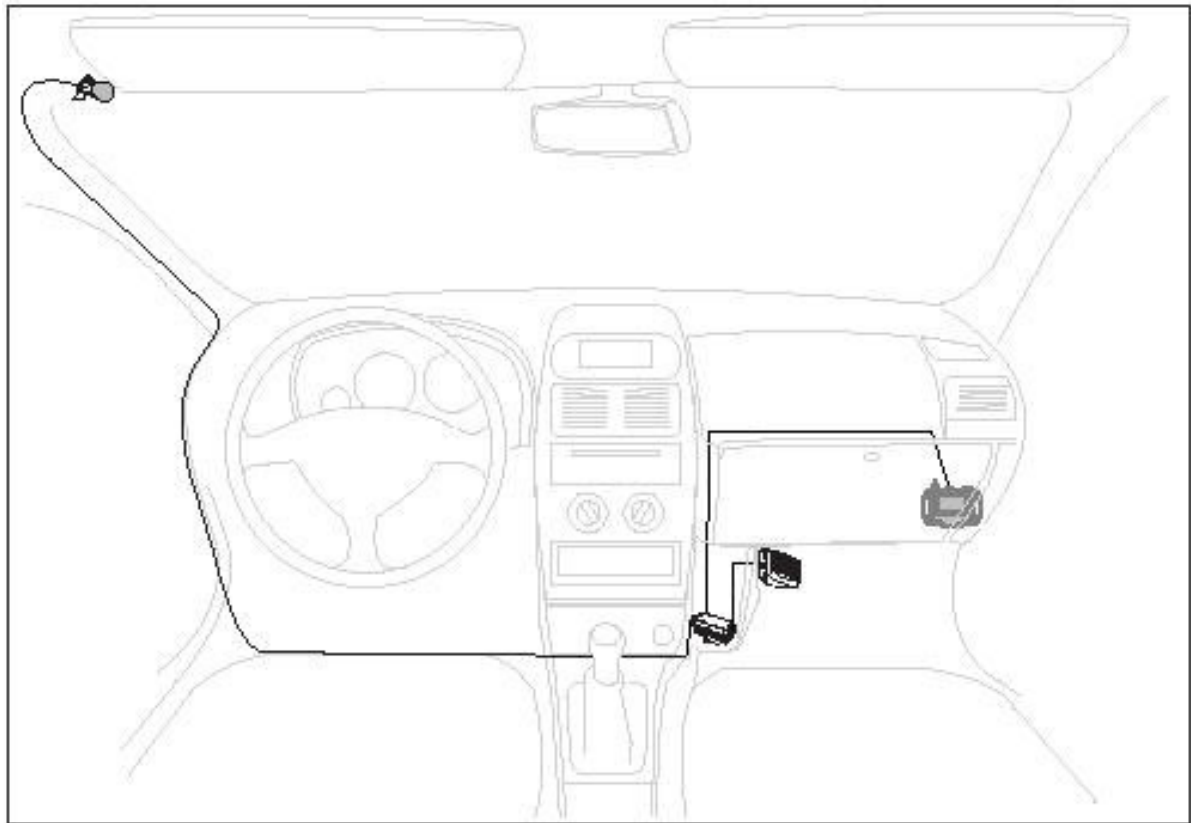
For vehicles equipped with an air bag:

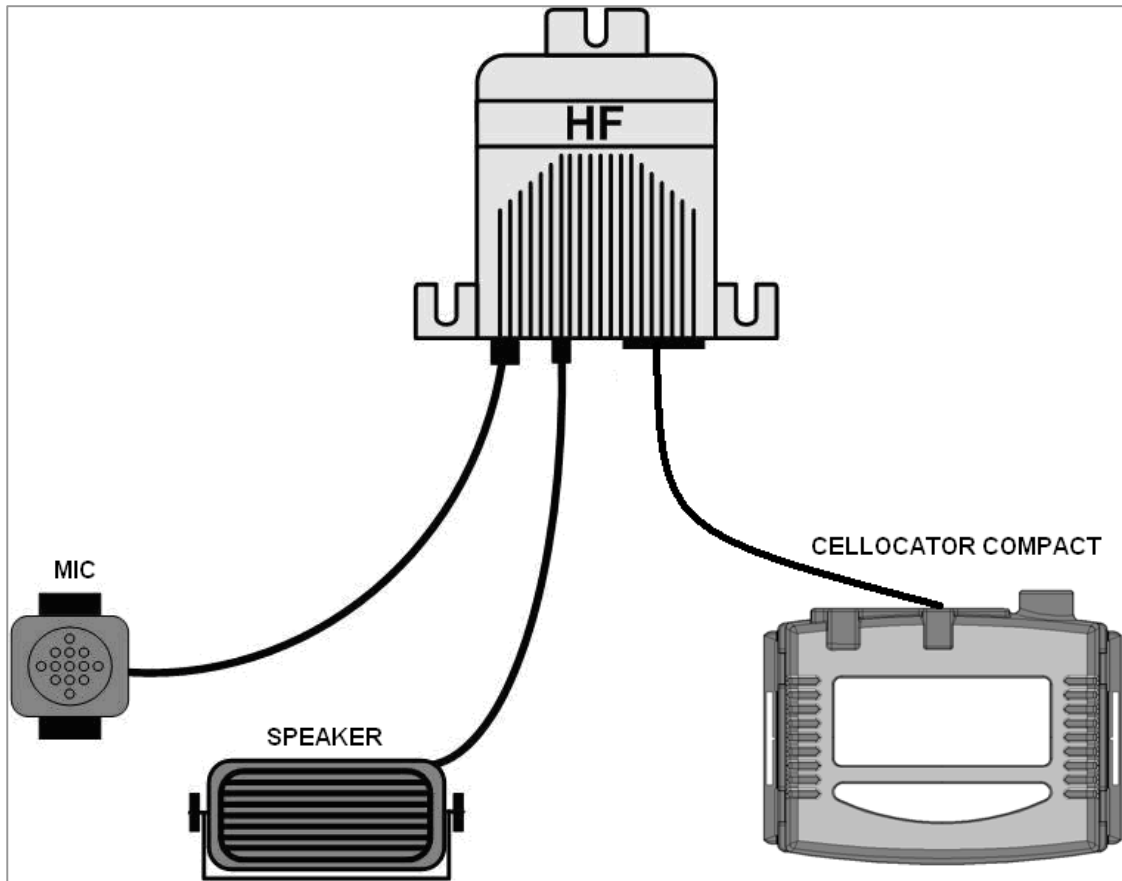
DO NOT place objects, including both installed and/or portable wireless equipment, in the area over the air bag or in the air bag deployment area. If in vehicle wireless equipment is improperly installed and the air bag inflates, serious injury could result.



CHAPTER 2: INSTALLATION INSTRUCTIONS:

Installation overview





HF Electronic Module

The HF electronic module interfaces connect to Cellocator Compact power by means of HF Harness. It provides and controls the supply voltages for the accessories.

The HF Electronic Module will be located normally on its back or at the side of the centre console.

This device can be attached to the vehicle using Velcro, an adhesive pad or a plastic restraint.

HF Speaker

The Hands-Free speaker connects to the Electronic Module by means of speaker jack. It should be mounted at least 50cm away from the Hands-Free microphone and should not be pointed towards the microphone, usually located out of sight in the passenger foot space, and secured with screws.



HF Microphone

The Hands-Free unidirectional microphone, connected to the HF Electronic Module by means of a microphone jack. It can be installed using velcro, or an adhesive pad provided with the product, on the door pillar or on the driver's sun visor.

HF Harness

The Hand-Free interface cable connects the Cellocator Compact with HF ELECTRONIC MODULE.

For any problems/questions, please contact us at: Techsupport@pointer.com