

# Cellocator Fuse Harness For Fast Installation Product Overview



Cellocator Division  
Pointer Telocation Ltd.

Proprietary and Confidential

Version 1.2

Revised and Updated: April 15, 2012



**POINTER**



# Cellocator Fuse Harness Product Overview



## Table of Contents

<b>1</b>	<b>Overview .....</b>	<b>3</b>
1.1	Description .....	3
1.2	Main Features .....	3
1.3	Compatibility .....	3
1.4	Revision History .....	3
<b>2</b>	<b>Product Description.....</b>	<b>5</b>
<b>3</b>	<b>Installation Instructions .....</b>	<b>6</b>
<b>4</b>	<b>Technical Specifications .....</b>	<b>7</b>



## 1 Overview

### 1.1 Description

The Fuse Harness is a 2-wire harness for power only supply, which connects the Cellocator unit to a standard or mini fuse holder, located in a fuse box in the vehicle / driver cabin.

The unit and harness installation is very quick and easy, and shortens the installation time dramatically when simple track and trace applications are involved. Installation is easy largely because no ignition-switch input needs to be connected as the start / stop identification is based on movement detected by the embedded 3-D accelerometer (for the Cello unit) or motion sensor (for the CR200), which is an integral part of the Cellocator unit capabilities starting from version 31.

The Fuse Harness provides an attractive low cost solution for rental/leased cars, vehicle owners, low-end fleet management, simple insurance PAYD applications, and so on.

Four Fuse Harnesses are offered for user convenience, supporting the Cello family and the CR200:

- ◆ 711-00279 Cello Regular Fuse Harness
- ◆ 711-00283 Cello Mini Fuse Harness
- ◆ 711-00280 CR200 Regular Fuse Harness
- ◆ 711-00284 CR200 Mini Fuse Harness

The Fuse Harness is a complementary solution for the 711-00250 OBDII Harness.

Please refer to the *FW31 Programming Manual* for further information regarding the movement detection configuration.

### 1.2 Main Features

- ◆ 2-wire power only harness
- ◆ Quick and simple installation
- ◆ Ignition sense replaced by movement detection provided by the Cellocator unit from FW31
- ◆ Provides an attractive low cost solution for many applications

### 1.3 Compatibility

The Fuse Harness is designed to support Cello and CR200 units utilizing FW31 or later versions.

### 1.4 Revision History

Version	Date	Description
1.0	December 15, 2011	Initial version
1.1	December 21, 2011	Add CR200 support and harnesses.



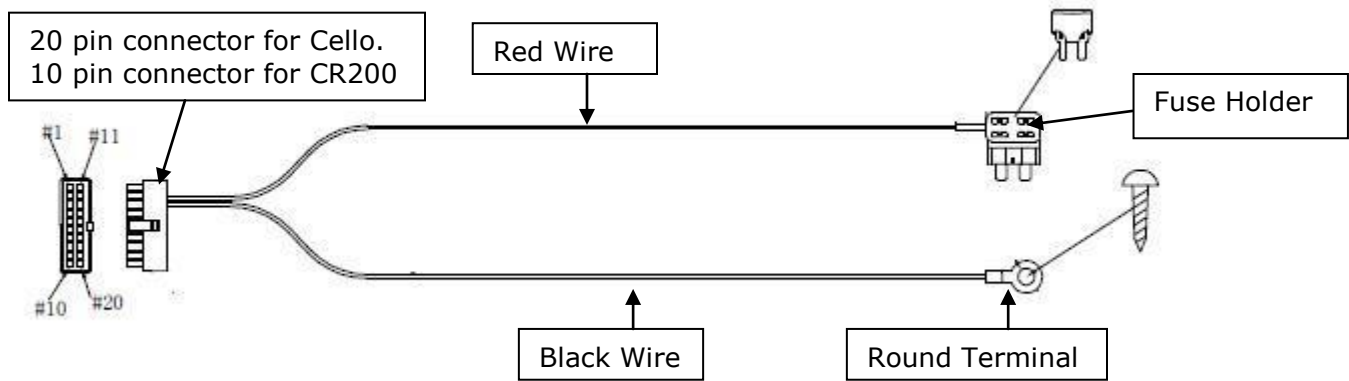
## Cellocator Fuse Harness Product Overview



Version	Date	Description
1.2	April 15, 2012	Add PTC protection for CR200 harnesses

## 2 Product Description

The schematic diagram of the Mini Fuse Harness is shown below.



Power is connected to the unit via the 20/10 pin connector, red wire and fuse holder. A fast blowing 3A fuse is installed in the fuse holder, protecting the unit from power surges.

The CR200 harness is also protected by means of PTC for safety certification compliance.

The fuse holder utilizes a fuse blade, enabling it to be inserted in the vehicle fuse box and support one more fuse slot for fuses up to 20A.

The ground is connected to the unit via the 20/10 pin connector, black wire and a round terminal, which should be connected to the vehicle ground using the self tapping screw.

The Mini Fuse Harness supports mini size APM and ATM fuses.

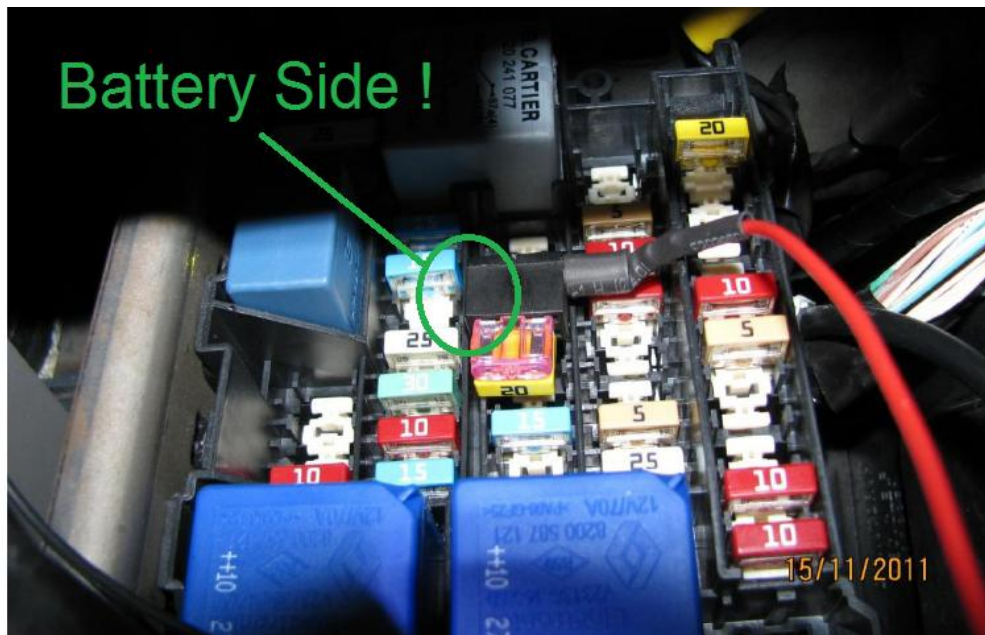
The Regular Fuse Harness supports regular size APR, ATC and ATO fuses.

The harness kit contains the harness itself, a 3A fast blowing fuse, and a screw.

### 3 Installation Instructions

➤ **To install the Fuse Harness:**

1. Locate the fuse box in the vehicle passenger compartments / driver cabin.
2. Locate a fuse slot which is permanently connected to power (such as ignition switch, alarm system, brakes light and so on). If it occupies a fuse make sure that it is up to 20A. Find out which side of the vehicle fuse holder is connected to the power. In the picture in step 4, the power is connected to the left side of the vehicle fuse holder.
3. Remove the fuse and insert the harness's fuse holder instead, as shown in the picture in Step 4. Make sure to insert the harness's fuse holder in the right direction for proper operation.
4. Insert the removed fuse in the empty slot of the harness's fuse holder. The picture below shows a yellow 20A fuse inserted in the second fuse slot of the harness's fuse holder.



5. Install the ground terminal and the unit according to the [CelloFamily Hardware Installation Guide](#).



## Cellocator Fuse Harness Product Overview



### 4 Technical Specifications

Parameter	Description
Wire length	150 cm
Wire specification	20 AWG, UL 1007
Round terminal hole size	3.5 mm
Screw size	6 * 3 mm
Fuse specification	32V 3A
RoHS compliancy	Yes
Connector specification	5A, 250V, UL94V-2